



For North American Market

INDUSTRIAL DIESEL ENGINE

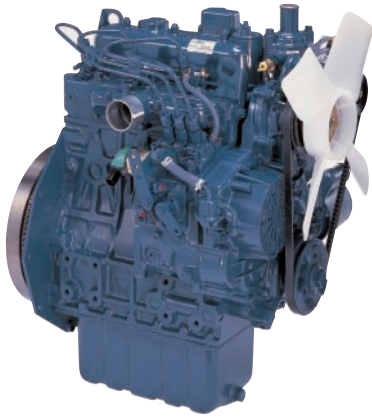
KUBOTA 05 SERIES (3-cylinder)

D1005-E3B



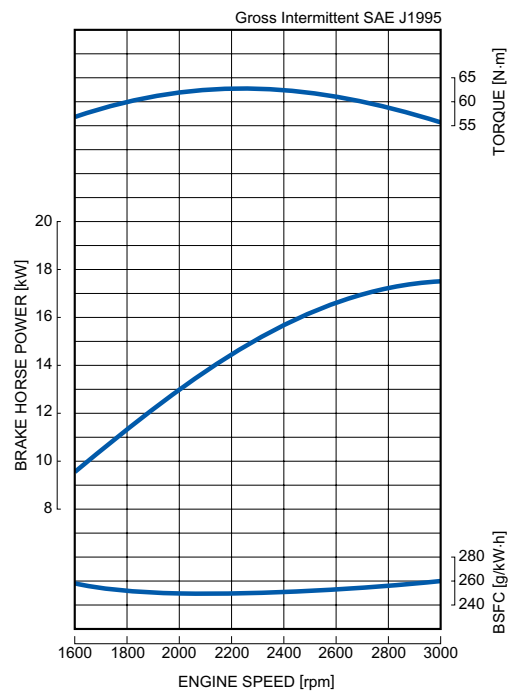
RATED POWER

17.5kW@3000rpm



Photograph may show non-standard equipment.

PERFORMANCE CURVE



FEATURES and BENEFITS

Emissions

- The D1005 engine complies with EPA Tier 4 emissions regulations. These are the most stringent emissions regulations in the world in this class.

Durable Power

- The Kubota 05 Series is an established leader in its horsepower range and has been the preferred power source of various industrial equipment manufacturers.
- The D1005 engine offers a seamless transition from Tier 2 to Tier 4 by maintaining the same footprint and hardware mounting points with only slight performance changes from the Tier 2 engine.

Clean and Quiet Power

- Kubota's original E-TVCS (Three Vortex Combustion System) has been improved. The combustion chamber and piston recess were optimized to achieve a 50% lower particulate matter (PM) level.

GENERAL SPECIFICATION

| | | |
|-------------------------------|-----------|---------------------------------------|
| Model | | D1005-E3B |
| Emission Regulation | | Tier 4 |
| Type | | Vertical 4-cycle Liquid Cooled Diesel |
| Number of Cylinders | | 3 |
| Bore | mm (in) | 76 (2.99) |
| Stroke | mm (in) | 73.6 (2.90) |
| Displacement | L (cu.in) | 1.001 (61.08) |
| Combustion System | | IDI |
| Intake System | | Naturally Aspirated |
| Maximum Speed | rpm | 3000 |
| Output: Gross Intermittent | kW | 17.5 |
| | hp | 23.5 |
| | ps | 23.8 |
| Direction of Rotation | | Counterclockwise Viewed on Flywheel |
| Oil Pan Capacity | L (gal) | 5.1 (1.35) |
| Starter Capacity | V-kW | 12-1.2 [US] / 12-1.4 [EU] |
| Alternator Capacity | V-A | 12-40 |
| Length | mm (in) | 497.8 (19.60) |
| Width | mm (in) | 396.0 (15.59) |
| Height (1) | mm (in) | 602.0 (23.70) |
| Height (2) | mm (in) | 227.6 (8.96) |
| Dry Weight | kg (lb) | 93.0 (205.0) |

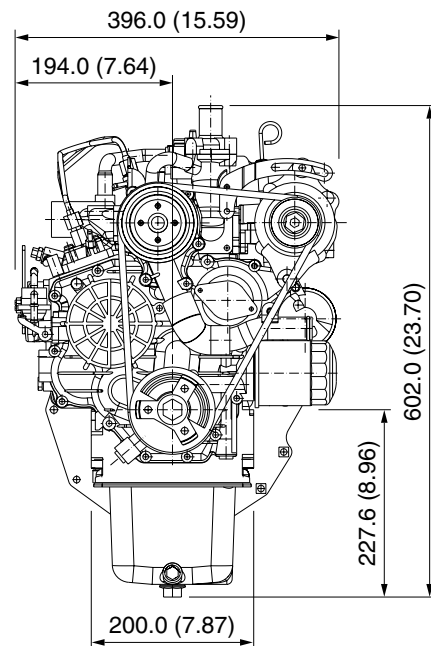
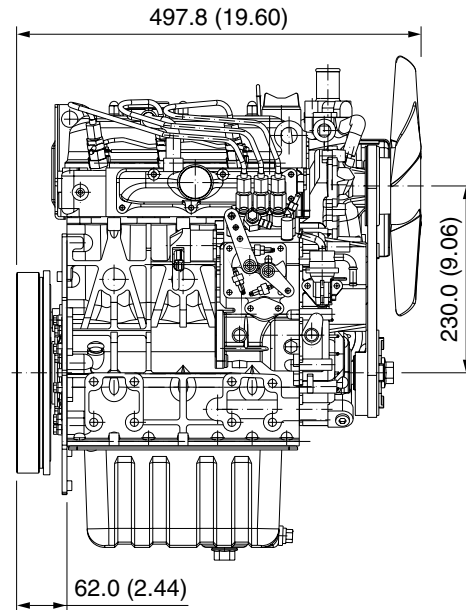
*Specification is subject to change without notice.

*Output: Gross Intermittent SAE J1995

*Dry weight is according to Kubota's standard specification.

When specification varies, the weight will vary accordingly.

DIMENSIONS



KUBOTA Corporation

2-47, Shikitsuhigashi 1-chome, Naniwa-ku, Osaka, 556-8601 Japan
Fax: 06-6648-3521

<http://www.engine.kubota.ne.jp>

Your Driving Force
KUBOTA ENGINE