



For North American Market

INDUSTRIAL DIESEL ENGINE

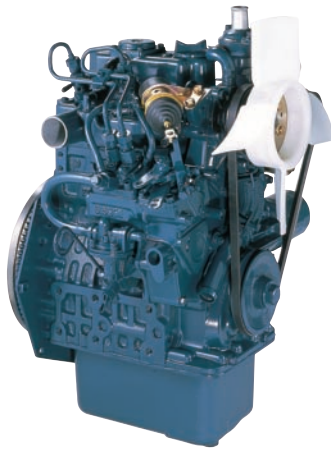
KUBOTA SUPER MINI SERIES (2-cylinder)

Z602-E3B



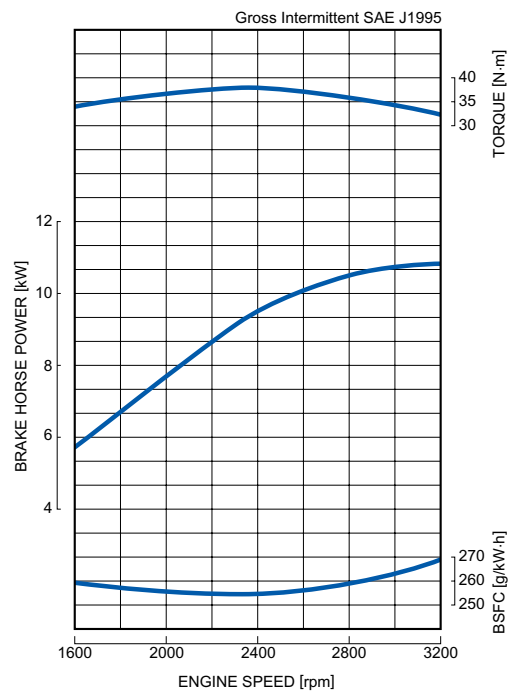
RATED POWER

10.8kW@3200rpm



Photograph may show non-standard equipment.

PERFORMANCE CURVE



FEATURES and BENEFITS

Emissions

- Kubota Super Mini Series, the most compact multi-cylinder liquid cooled industrial diesel engines, complies with EPA Tier 4 emissions regulations. These are the most stringent emissions regulations in the world in this class.

Durable Power

- The Kubota Z602 engine is a high power density engine that delivers the highest output in a 2-cylinder configuration.
- By expanding the bore and stroke, Kubota increased engine displacement, while maintaining the same footprint as the Z482 engine. By adopting an extended shallow oil pan, the engine height is lower than the Z482 engine, providing a compact engine package.
- The cooling water passages between the cylinder bores, using Kubota's original casting technology as a countermeasure against heat load of high power density, provides both superior endurance and reliable engine characteristics.
- This engine offers a seamless transition from Tier 2 to Tier 4 by totally maintaining the same performance and physical characteristics of the previous Tier 2 engines.

Clean and Quiet Power

- Kubota's original E-TVCS (Three Vortex Combustion System) has been improved. The piston recess was optimized to achieve a 50% lower particulate matter (PM) level in such a small size range.
- The half-float valve cover and MoS₂ coated pistons reduce noise levels and provide reduced transmitted vibration from the valve area for better noise characteristics.

GENERAL SPECIFICATION

Model		Z602-E3B
Emission Regulation		Tier 4
Type		Vertical 4-cycle Liquid Cooled Diesel
Number of Cylinders		2
Bore	mm (in)	72 (2.83)
Stroke	mm (in)	73.6 (2.90)
Displacement	L (cu.in)	0.599 (36.55)
Combustion System		IDI
Intake System		Naturally Aspirated
Maximum Speed	rpm	3200
Output: Gross Intermittent	kW	10.8
	hp	14.5
	ps	14.7
Direction of Rotation		Counterclockwise Viewed on Flywheel
Oil Pan Capacity	L (gal)	2.5 (0.66)
Starter Capacity	V-kW	12-1.0
Alternator Capacity	V-A	12-40
Length	mm (in)	384.6 (15.14)
Width	mm (in)	420.5 (16.6)
Height (1)	mm (in)	544.1 (21.42)
Height (2)	mm (in)	204.0 (8.03)
Dry Weight	kg (lb)	60.0 (132.3)

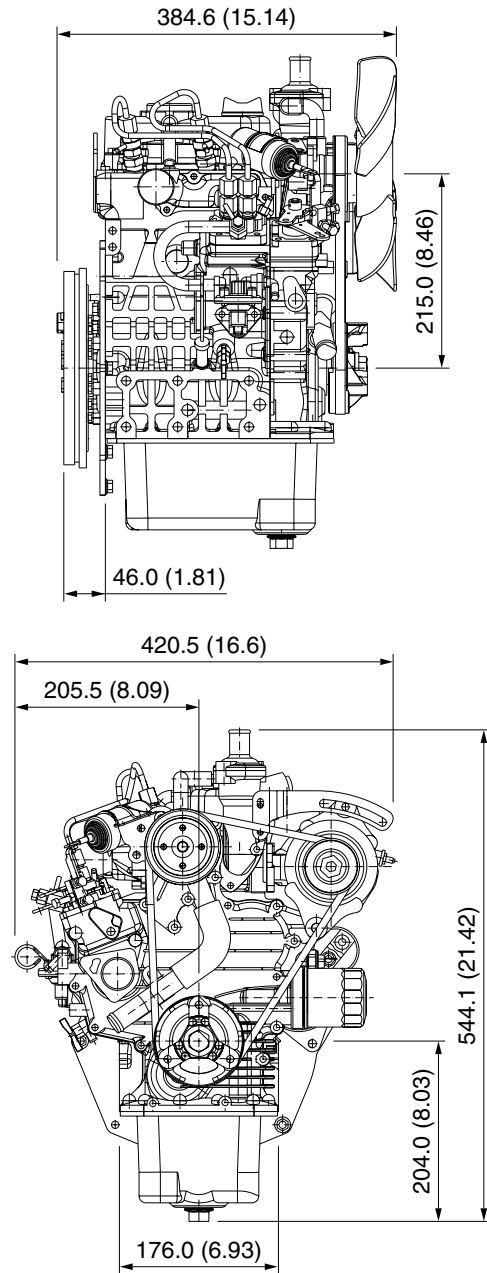
*Specification is subject to change without notice.

*Output: Gross Intermittent SAE J1995

*Dry weight is according to Kubota's standard specification.

When specification varies, the weight will vary accordingly.

DIMENSIONS



KUBOTA Corporation

2-47, Shikitsuhigashi 1-chome, Naniwa-ku, Osaka, 556-8601 Japan
Fax: 06-6648-3521

<http://www.engine.kubota.ne.jp>