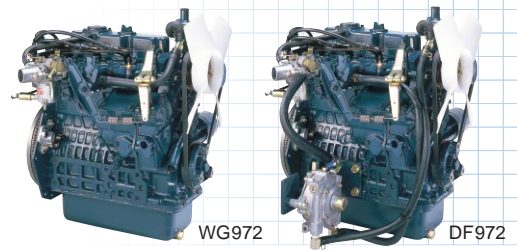
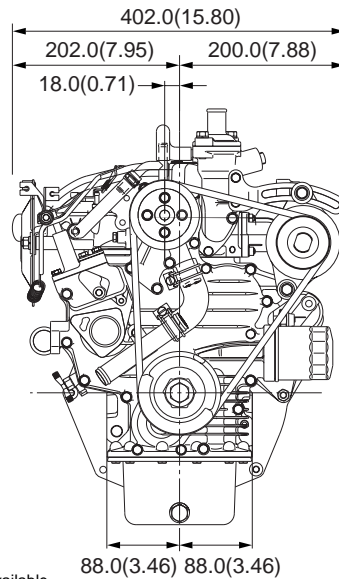
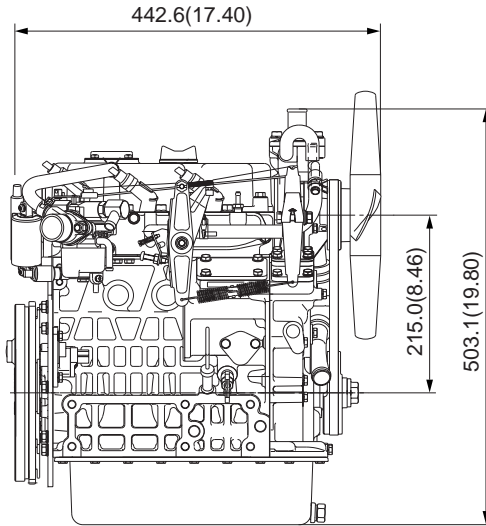


WG/DF972



Dimensions mm(in.)



Shown above: with Kubota Standard flywheel and rear-end-plate.
Option kit for Clutch No.6 1/2" Flywheel and SAE No.5 Flywheel Housing is also available.

Specifications

Model		WG972	DF972
Type	mm(in.)	Vertical, Liquid-Cooled 4-cycle Gasoline engine	Vertical, Liquid-Cooled 4-cycle engine
	L (cu.in.)		
Cylinders		3	
Bore x Stroke	mm(in.)	74.5x73.6(2.93x2.90)	
Displacement	L (cu.in.)	0.962(58.7)	
Output	Gross intermittent	24.2/32.5/32.9/3600	23.1/31.0/31.4/3600
	Net intermittent	23.1/31.0/31.4/3600	22.0/29.0/29.9/3600
	Net Continuous	20.9/28.0/28.4/3600	17.5/23.5/23.8/3600
No Load High Idling Speed	rpm	3850	
No Load Low Idling Speed	rpm	1500	
Max. Torque	N-m(lbs ft)	73.5(52.9)/2400	69.6(50.0)/2400
	/rpm		
Fuel		Unleaded gasoline	*Commercial LPG
Lubricating System		Forced lubricating by trochoid pump	
Lubricating Oil		Quality better than SH class	
Cooling system		Radiator(Not included in the basic specification)	
Starter Capacity	V-kW	12-1.0	
Alternator Capacity	V-W	12-480	
Dry Weight	kg (lbs.)	72.0(159.0)	
Dimensions(L x W x H)	mm (in.)	442.6x402.0x503.1 (17.40x15.80x19.80)	
Direction of Rotation		Counterclockwise(viewed from the flywheel side)	

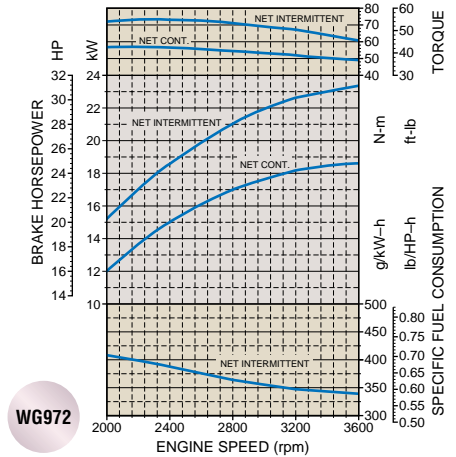
Note: *LPG regulator with vaporizer operates on a liquid withdrawal type system.

* Specifications are subject to change without notice.

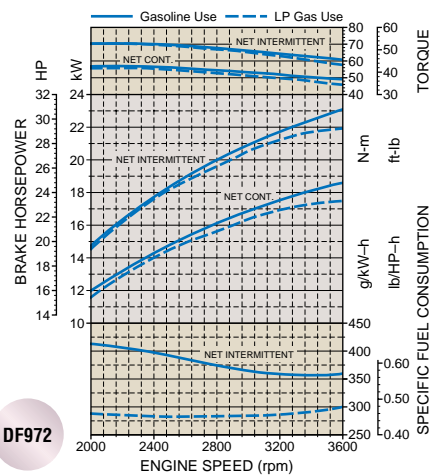
* Dry weight is according to Kubota's standard specification.

When specification varies, the weight will vary accordingly.

Performance Curve



WG972



DF972